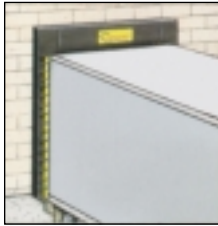
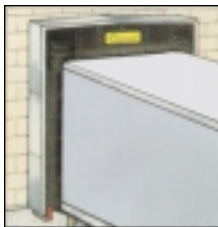


Conventional Dock Seals and Truck Shelters



Pentalift Dock Seals

serve to form a gasket between the building and truck/trailer. They are an effective seal for loading docks servicing a relatively standard fleet of trucks/trailers.



Pentalift Truck Shelters

provide an effective seal for a wide range of trucks/trailers. Truck shelters allow for full, unobstructed access to the rear of the trailer. Since no compression is required to form a seal, pressure on the exterior building wall is minimized.

Coverings and Colors*

Materials	Black	Blue	Brown	Green	Gray
22 oz Vinyl	■	■	■	■	■
32 oz Vinyl	■	■	■	■	■
40 oz Vinyl	■	■	■	■	■
16 oz Hypalon	■				
40 oz Hypalon	■				
Pentalon I †	■				
Pentalon II ‡	■				

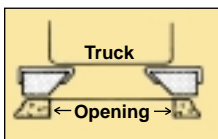
*Other colors available by special order.

Pentalon Fabrics are manufactured to meet Pentalift's stringent standards for quality and performance.

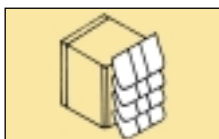
† **Pentalon I** is a heavy weight, high performance alloy material with an exceptionally high tear resistance that exceeds any conventional fabric used in the dock seal industry. A higher ratio of coating on the outside improves abrasion resistance and wearability by putting the extra coating on the face of the dock seal where most of the wear occurs.

‡ **Pentalon II** the ultimate truck shelter fabric, is an extra thick, highly wear resistant, unidirectional, 5 layer, high performance alloy material that has been developed specifically for Pentalift Truck Shelters. This unidirectional characteristic maintains a uniform seal without the need for stays or stiffeners which may deteriorate or fail over time. Pentalon II's superior characteristics as a truck shelter material also make it the fabric of choice when retrofitting existing truck shelters where other materials have failed.

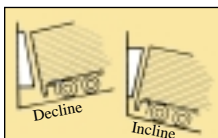
Common Options



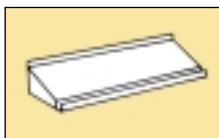
Beveled Side Pads



Wear Pleats



Tapered Units



Metal Hood

PS-100 Fixed Header Dock Seal

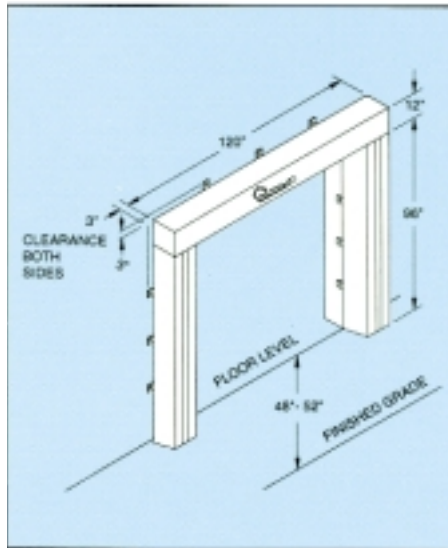


Suits door openings up to 9' wide x 9' high

Features

The PS-100 Fixed Header dock seal is a compressible, foam-filled, 3 sided dock seal. It is best suited for a door opening that is 8' wide x 8' high / 8' wide x 9' high which services trucks/trailers of approximately the same size. Once the PS-100 dock seal is compressed, a gasket seal is formed between the rear of the truck/trailer and the building.

NOTE: Consider a shelter (rigid or inflatable) or an L-shape dock seal for 9' wide door openings.



Specifications

Fixed Header dock seal(s) to be Model PS-100 as manufactured by Pentalift Equipment Corporation to suit a door opening of _____" wide x _____" high. Side pads and header seal to be constructed of polyurethane foam bonded to a 2" thick, kiln-dried wood backboard. Side pads to be _____" long and the header seal to be _____" wide, with a projection of _____". Cover to have bottom breathers. Cover fabric to be _____ with 4" wide, full-length, yellow guide stripes. Unit to be supplied complete with galvanized mounting hardware.

Options: Wear pleats
Drop curtain
Build-out box
Common member

PS-200A Adjustable Curtain Dock Seal

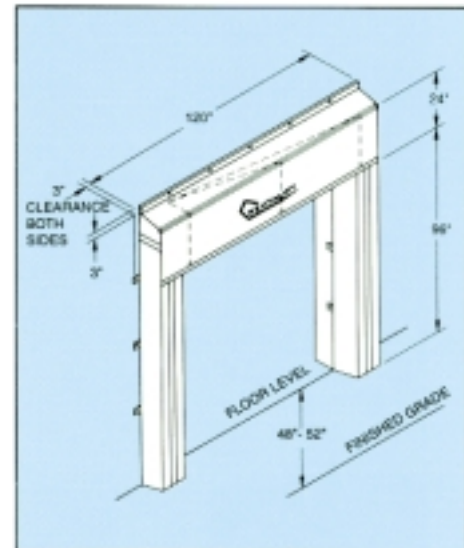


Suits door openings up to 9' wide x 10' high

Features

The PS-200A Adjustable Curtain dock seal is an effective solution for dock doors which service trucks/trailers of varying heights. After the truck/trailer compresses the side pads, the dock attendant simply lowers the adjustable header curtain to the truck/trailer top, to form a three-sided seal around the rear of the trailer. The adjustable header curtain of the PS-200A minimizes the potential for header damage, which can occur with fixed header type dock seals due to impact from forklift truck masts or loads.

NOTE: Consider a shelter (rigid or inflatable) or an L-shape dock seal for 9' wide door openings.



Specifications

Adjustable Curtain dock seal(s) to be Model PS-200A as manufactured by Pentalift Equipment Corporation to suit a door opening of _____" wide x _____" high. Side pads to be _____" long x _____" projection, constructed of polyurethane foam bonded to a 2" thick, kiln-dried wood backboard. Side pads to have bottom breathers. Adjustable head curtain shall be full width over side pads, secured to the wall and side pads. Head curtain adjustment to be accomplished with rope control. Adjustable Head curtain to be _____" wide, with _____" drop. Cover fabric to be _____ with 4" wide, full-length, yellow guide stripes. Unit to be supplied complete with galvanized mounting hardware.

Options: Wear pleats
Pentawing curtain
Build-out box
Metal hood