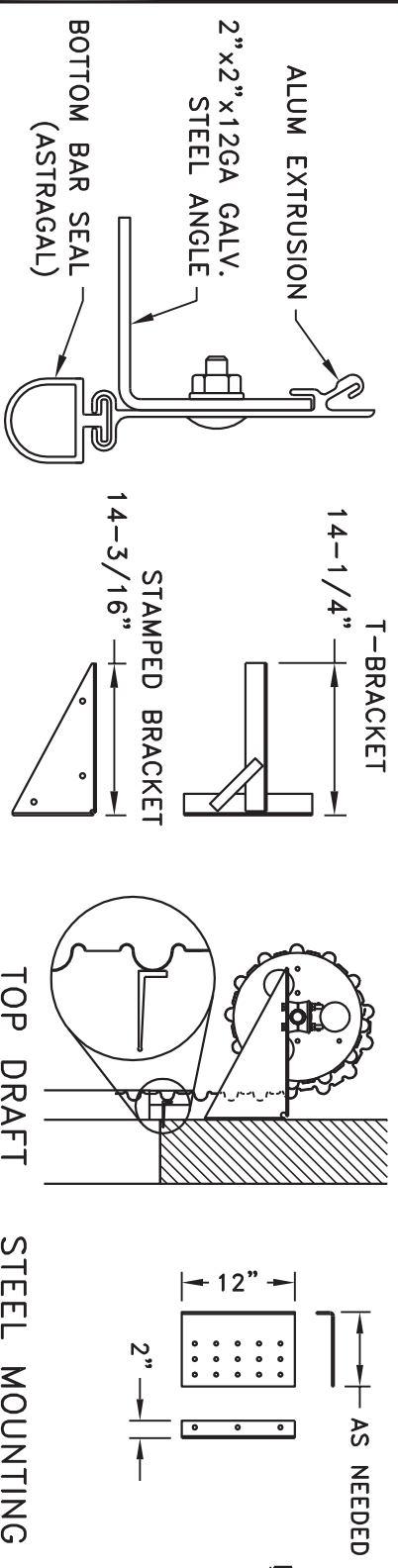
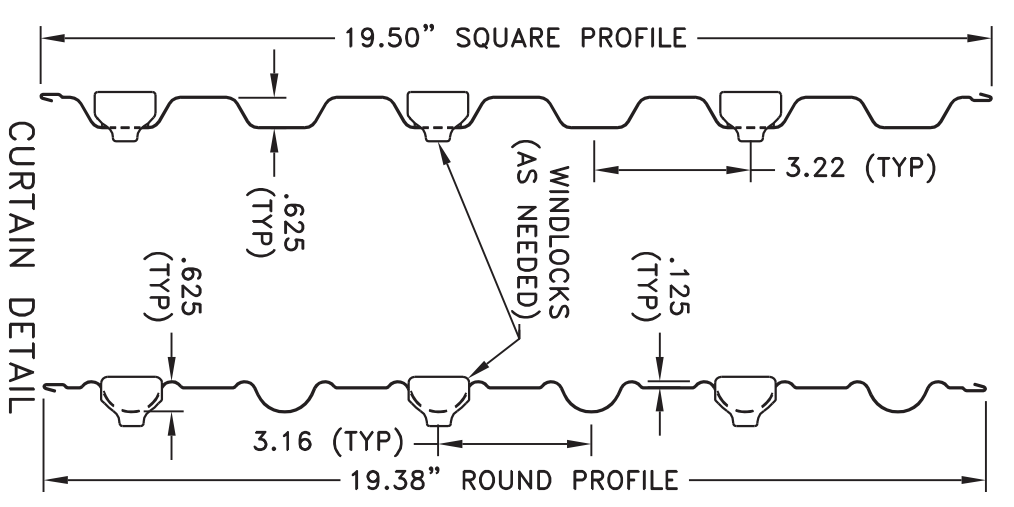


MASONRY JAMB DETAIL
(CONCRETE OR GROUT FILLED BLOCK)
(3000PSI MINIMUM)



BOTTOM BAR DETAIL



BRACKET DETAIL



TOP DRAFT STOP DETAIL

- NOTES:
1. DOOR MODEL DS350I IS INSULATED DS-350
 2. WHEN USING LOCK BY OTHERS (LBO), LONG THROW SLIDE REQUIRED
 3. DOORS FOR OPENING SIZE GREATER THAN 10'-0" IN EITHER HEIGHT OR WIDTH USE T-BRACKET
 4. TOP DRAFT STOP INCLUDED
 5. OPER. HAND DETERMINED INSIDE LOOKING OUT
 6. CURTAIN LOCK (CTL) HAND DETERMINED OUTSIDE LOOKING IN
 7. DIMENSIONS SHOWN ARE APPROXIMATE. SEE INSTALL MANUAL FOR EXACT COMPONENT LOCATION
 8. FASTENER SUBSTITUTION MUST BE REVIEWED AND APPROVED BY FACTORY PRIOR TO INSTALL

METHOD OF OPERATION	A	B	C
PUSH-UP	6"	20"	10"
DIRECT DRIVE CHAIN/MOTOR	9"	22"	11"
REDUCED DRIVE CHAIN	8"	24"	12"

WINDLOAD RATING
(26GA PAINTED GALV. STEEL)

MAXIMUM WIDTH	PANEL PROFILE	DESIGN PRESSURE
10'-0"	ROUND SQUARE	±37PSF
12'-0"	ROUND SQUARE	±44PSF
12'-0"	ROUND SQUARE	±28PSF
16'-0"	ROUND SQUARE	±40PSF
16'-0"	ROUND SQUARE	±28PSF
16'-0"	ROUND SQUARE	±34PSF

DS-350 COMMERCIAL DOOR

CUSTOMER NAME _____
 CUSTOMER NUMBER _____
 PROJECT NAME _____
 PROJECT LOCATION _____
 CONTACT _____
 PHONE NUMBER _____
 FAX NUMBER _____
 DATE _____

SALES ORDER NUMBER	DOOR MODEL	QTY	EXACT OPENING SIZE		OUTSIDE CURTAIN COLOR	JAMB TYPE		METHOD OF OPERATION			OPER. HAND	OPTIONAL HOOD?	LOCK OPTIONS			OTHER OPTIONS	
			WIDTH	HEIGHT		MAS	STL	WOOD	PUSH UP	DIRECT CHAIN			REDUCED CHAIN	MOTOR	ISB	CTL	CTL
DS350I	DS350I																



Wayne Dalton
 Door & Systems Div.
 2589 County Rd 168
 Dundee, Ohio 44624

SIZE DRAWING NO. **B 035-0029** REVISION **1**

DRAWING NO. **035-0029**